

ACCESSORIES FOR PRESSURE GAUGES
PRESSURE COCK VALVES **11.10**

CONSTRUCTIVE PROPERTIES

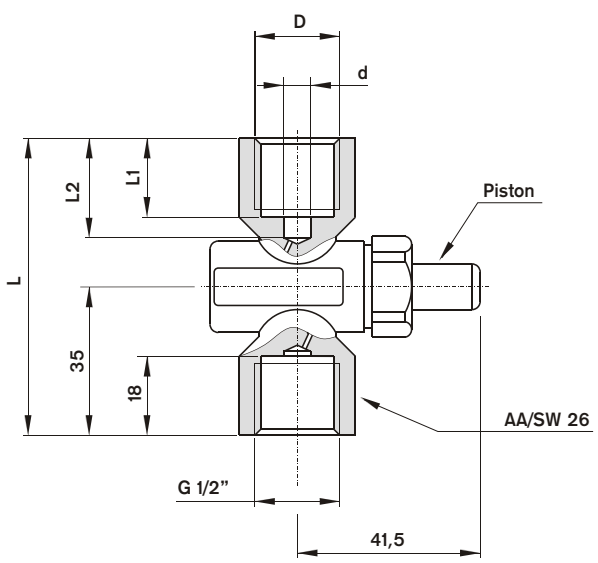
Material	Brass Nickel Coated
Max. Pressure	PN 4
Max. Temperature	120 °C
Nominal Diameter	DN 15
Sealing Material	NBR
Connection	G 1/2" B (F-F)



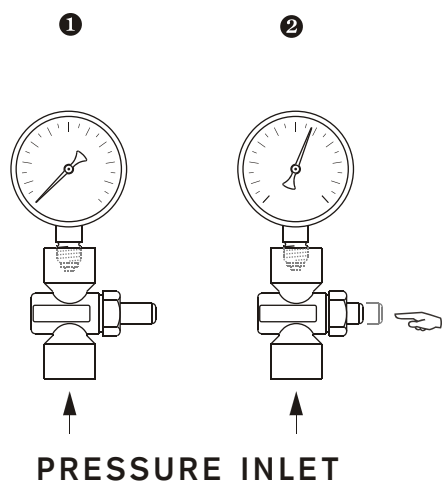
Model No : IO40 O4 O4

USAGE PROPERTIES

Used where pressure gauge is intended for controlling purpose and the value not needed to be seen continuously. Thus, on demand valve is opened, then the value is observed.



Open / Close Positions



Nut / Nut Connections PN 4 bar

D	L1	d	L2	L	Weight (gr.)	Model No
G 1/4"	12	5,5	16,5	70	250	1040 04 02
G 1/2"	18	7	23,5	70	245	1040 04 04