

HIGH VELOCITY DUAL FUEL BURNERS

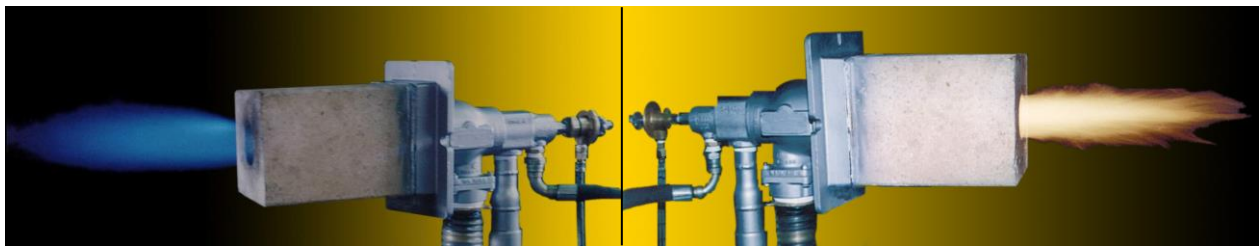
MODEL : **NAHGO**

BULLETIN: 204

Page 1 of 6

NAHGO dual fuel burners are widely used on heat treat and melting furnaces , kilns , ovens , air heaters ,dryers , chemical process equipment ,and other applications where superior temperature uniformity is required .

These sealed – in, nozzle – mix burners for gas and/or distillate oil are stable on stoichiometric ratio, with large amounts of excess air, or with up to 50% excess fuel (provided additional air for combustion is in the furnace near the burner).



OPERATION

Burners can be lighted at rich,lean, or correct air/fuel ratio then immediately turned to high fire. Required gas pressures are low for natural gas. Required oil pressure at burner is nearly zero, but a pressure drop should be taken across the adjustable oil valve (ADOV).

The most common ratio control system for these Burners uses a cross-connected regulator. When appropriate for the application,flow balancing systems or fuel only control (see"Excess Air" paragraph) is very satisfactory .

If furnace temperatures after shutdown rise above 1000 °C , pass some air through burner to prevent overheating . During gas operation , use at least 16mbar atomizing air to cool atomizer (full atomizing air may be used);or for extended periods of operation on gas , atomizer can be withdrawn and stored : Use a backplate and gasket to seal rear of burner .

LIGHTING/ FLAME SUPERVISION

A 10PGL pilot is normally used to light these burners . On gas , direct spark ignition of the burner is available .

Burners accept ultraviolet (UV) scanners for monitoring pilot or main flame . A flame rod can be used to monitor pilot or main gas fire .

When using flame supervision , an interrupted pilot is required – do not use constant or intermittent pilots . If using direct spark ignition , turn off spark after burner lights .

All burners are furnished with an observation port . A lighter hole cover is supplied if a pilot is not ordered. Position of pilot , flame detector , and observation port are interchangeable as long as pilot and flame detector are mounted in adjacent holes.

SHOLEH SANAT ENG. & MFG. CO.

MANUFACTURER OF BURNERS FOR FURNACES

FUEL CONVERSION OF BOILERS & FURNACES, DESIGN , CONSULTATION AND INSTALLATION

HIGH VELOCITY DUAL FUEL BURNERS

MODEL : **NAHGO**

BULLETIN: 204

Page 2 of 6

EXCESS AIR

Excess air improves temperature uniformity by avoiding hot spots in front of burners , churning furnace atmosphere to reduce stratification ,and creating positive furnace pressure to eliminate cold air infiltration.

Excess air can give very high effective burner turn down . Thus a furnace used for high temperature work with burners firing on stoichiometric air/fuel ratio can also be used for low temperature jobs with burners firing on lean ratio.

Burner model	Kcal/hr at 70 mbar (air pressure)	Flame Length(cm) with 70 mbar (air pressure)	
		Oil	Gas
65NAHGO	65,000	15	45
100NAHGO	100,000	45	60
150NAHGO	150,000	60	75
250NAHGO	250,000	75	75
390NAHGO	390,000	90	120
680NAHGO	680,000	180	180
840NAHGO	840,000	180	180
1100NAHGO	1,100,000	180	210

CONSTRUCTION FEATURES

Air and gas inlets can be rotated in 90° intervals , but air and gas pipes should be brought in from the top or side to prevent oil dripping into them .

Mounting plates are cast iron . For thicker furnace walls , tunnel beyond the end of tile should be flared at least 30° included angle , starting at tile OD . Extension tiles are not recommend .

For installation convenience , burner body can be separated from the mounting plate and tile assembly . But tile must be set in the wall with pilot and flame detector notches in proper location relative to intended burner body position .

SHOLEH SANAT ENG. & MFG. CO.

MANUFACTURER OF BURNERS FOR FURNACES

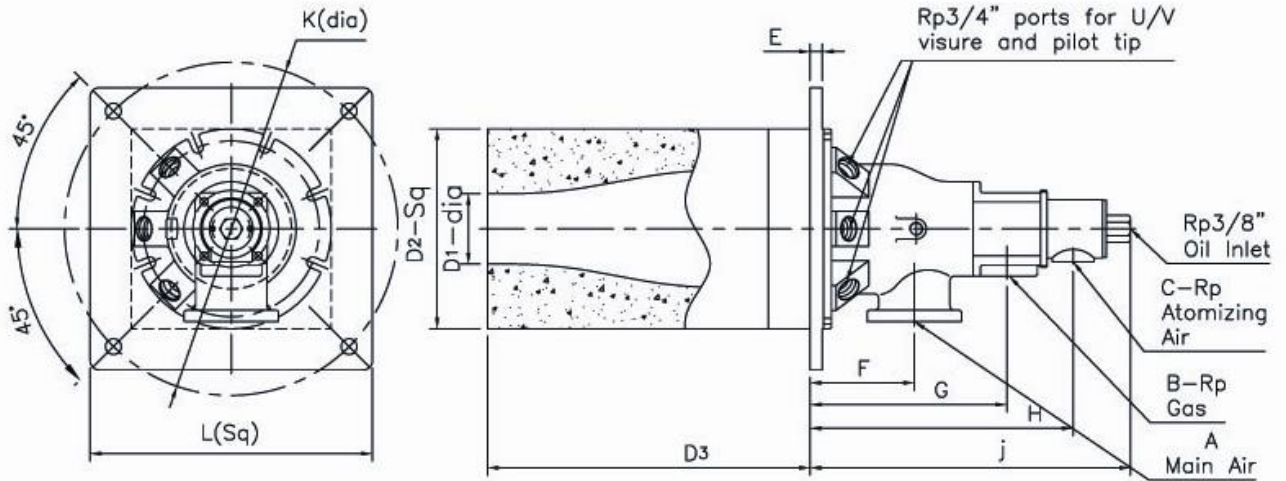
FUEL CONVERSION OF BOILERS & FURNACES, DESIGN , CONSULTATION AND INSTALLATION

HIGH VELOCITY DUAL FUEL BURNERS

MODEL : **NAHGO**

BULLETIN: 204

Page 3 of 6



BURNER Design	A in	B in	C in	D1 mm	D2 mm	D3 mm	E mm	F mm	G mm	H mm	J mm	K mm	L mm
65 NAHGO	2	1	1	76	216	348.5	13	114.5	215.5	288	350	360	305
100 NAHGO	2	1	1	76	216	348.5	13	114.5	215.5	288	350	360	305
150 NAHGO	2	1	1	76	216	348.5	13	114.5	215.5	288	350	360	305
250 NAHGO	3	1.1/2	1	76	216	348.5	13	114.5	215.5	288	350	360	305
390 NAHGO	3	1.1/2	1	76	216	348.5	13	114.5	215.5	288	350	360	305
680 NAHGO	4	2	1.1/2	115	252	342	15	142	282	387	459	400	340
840 NAHGO	4	2	1.1/2	115	252	342	15	142	282	387	459	400	340
1100 NAHGO	6	2	2	115	252	342	15	142	282	387	459	400	340

SHOLEH SANAT ENG. & MFG. CO.

MANUFACTURER OF BURNERS FOR FURNACES

FUEL CONVERSION OF BOILERS & FURNACES, DESIGN , CONSULTATION AND INSTALLATION

INSTALLATION

1-Requirements :

- a) Maximum allowable inlet pressure to the gas governor is 180 mbar . If greater than 180 mbar , an upstream pressure regulator must be used .
- b) Gas supply pressure to the gas governor should be at least 14 mbar greater than the high fire burner air pressure . If less , a bleeder must be installed in the impulse line .
- c) Fuel oil must be supplied to the oil governor at 3 bar . Oil should be supplied from a circulating system controlled by a diaphragm relief valve or regulator .
- d) Atomizing air pressure at burner must be at least 70 mbar .
- e) Consult your SHOLEH SANAT engineer for automatic shut off and flame supervision requirements .

2-Burner Mounting :

- a) Burners should be mounted with air , gas , pilot , and UV connections on the top or side to prevent oil dripping into them .
- b) **WARNING** : Burners cannot be rotated with respect to the mounting plate as the pilot and flame detector ports must align with notches in the plate .
- c) To minimize leaks around the tile and to prevent tile damage from thermal expansion of the wall, follow the instructions of SHOLEH SANAT.

3-Piping :

- a) Minimize piping pressure losses . Use a minimum of elbows . Substitute 45° elbows for 90° elbows when possible . Do not use street elbows . Use pipe (not tubing)for pilot air and gas lines . 1/4" tubing may be used for impulse lines up to 3 m long , 1/2" tubing or larger for longer runs .
- b) Pipe air and fuel lines in a manner similar to that shown in Figure 1 . Flexible connections are recommended in air and fuel lines to minimize strain from piping and thermal expansion .
- c) Pilot air , gas and atomizing air supply connections must be made upstream of primary burner controls so that they are not affected by the zone air control and gas shutoff valves .
- d) Connect impulse piping as shown in Figure 1 . These piping arrangements are designed to keep air and gas flows on desired ratio at all firing rates .
- e) Ratio regulator impulse line connections must be located between the zone control air valve and the manual burner air valve for multiple burner zones and downstream of the manual burner air valve for single burners .

HIGH VELOCITY DUAL FUEL BURNERS

MODEL : **NAHGO**

BULLETIN: 204

Page 5 of 6

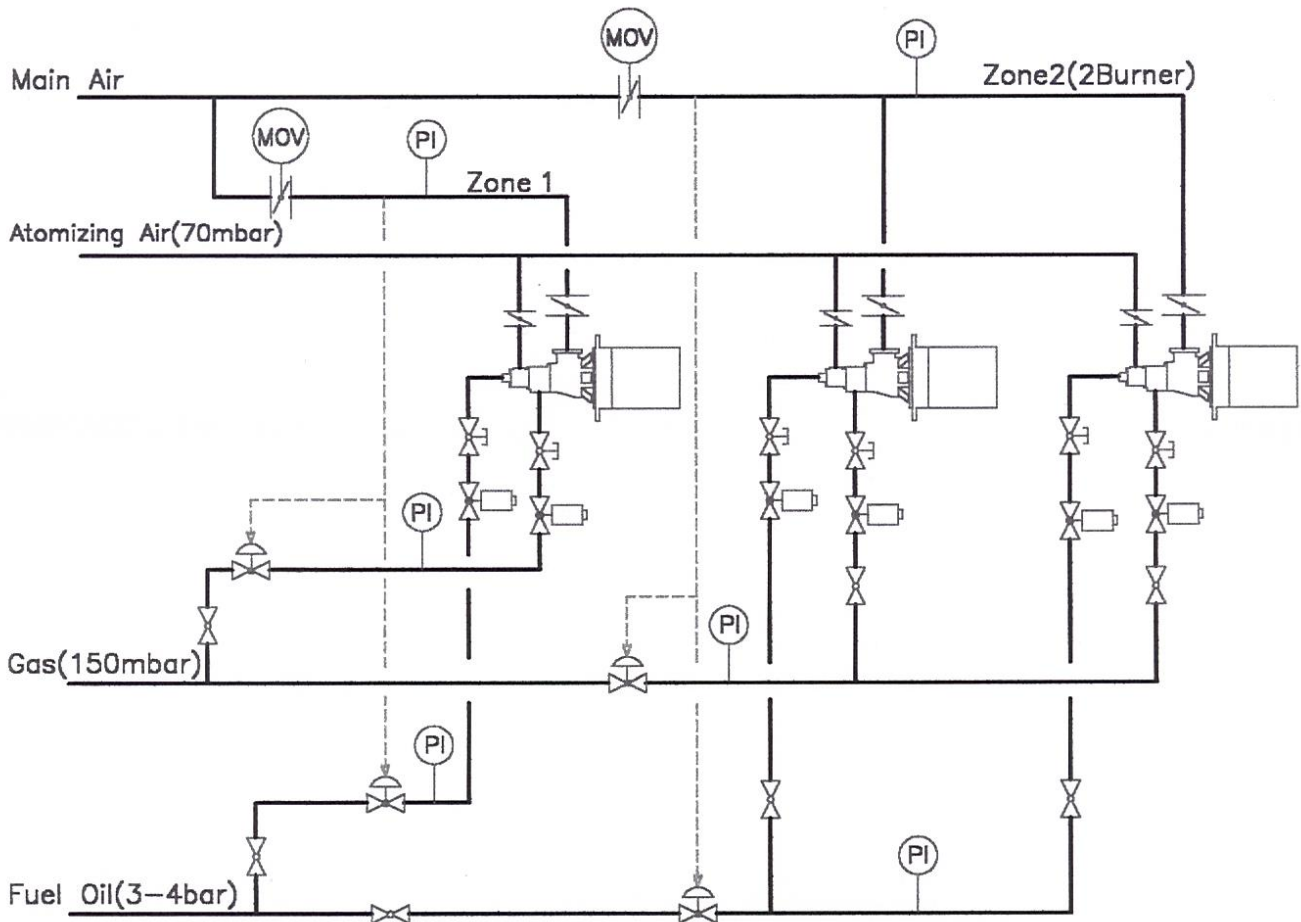


Fig 1 Suggested Piping Arrangement for NAHGO Burner

LIGHTING AND ADJUSTMENT

1-Basic

- All manual and automatic fuel valves (gas and oil) must be closed.
- Open all furnace doors and flue dampers . Lock all burner air valves in full open position .
- Start combustion air blower and check rotation .
- Adjust damper motor /air valve linkage (s) for low and high fire .
- Set atomizing air pressure at 70mbar. NOTE : Atomizing air can be set at 16mbar for gas firing but must be returned to 70mbar for oil firing .
- Set damper motor(s) at high fire allowing furnace to purge for several minutes prior to lighting. Check motor amps with all burners at high fire. If in overload, adjust the linkage to reduce the high fire airflow.
- Return the damper motor to low fire . Linkage must not bind .

2 - Light the pilots in accordance with the pilot instruction sheet .

SHOLEH SANAT ENG. & MFG. CO.

MANUFACTURER OF BURNERS FOR FURNACES
FUEL CONVERSION OF BOILERS & FURNACES, DESIGN , CONSULTATION AND INSTALLATION

3A- Gas Firing :

- a) Open gas adjustable valve fifty percent (ADV) from full closed position .
- b) Open gas shutoff valve(s) , if burner does not light within a few seconds , close gas shutoff valve and open gas adjustable valve one more time , then open gas shutoff valve . Repeat as necessary until burner lights .
- c) Slowly open main air valve to high fire position , adjustable valve as necessary .
- d) Return control valve to low fire position . Adjust gas governor for desired flame .
- e) Repeat steps (c) and (d) if necessary .

3B-Oil Firing:

- a) Set atomizing air at 70mbar for light oil (100 mbar for heavy oils) .
- b) Open oil shutoff valve . Purge air from line by breaking oil line at Adjustable oil valve collecting oil in a bucket or other container until flow is free of air .
- c) Adjust oil supply for 3 bar at oil governor inlet .
- d) Open oil Adjustable valve until burner lights .
- e) Slowly open main air valve to high fire position . Adjust oil adjustable valve as necessary .
- f) Return control valve to low fire position . Adjust the oil governor for desired flame .
- g) Repeat steps (e) and (f) if necessary . Set oil adjustable valve detent at high fire setpoint .
- h) When shutting down , turn off the oil valve upstream of oil governor . Allow to purge , then shut the oil adjustable valve.

4-Trouble shooting :

A-Gas Operation:

- a) Gas supply pressure too high or too low (see appropriate regulator literature) .
- b) Impulse pressure too low to gas governor - check for dirt in line or connections , check method of connecting impulse line to air pipe.
- c) Governor not controlling -check method of connecting impulse line to air pipe , check governor diaphragms (see governor literature) , if bleeder is used , check orifices for dirt .

B- Oil Operation

- a) If fire is " sloppy", check atomizing air pressure : at least 70 mbar for light oil , at least 100 mbar for heavy oil .

If fire "spits" or tends to be unstable, check for air in oil (a suction line leak, usually at the pump) or water or dirt in the oil lines (check filters, oil tank, atomizer, etc.)

Head Office

Unit 8, No.36, Bozorgmehr St. Valiasr Ave,
Tehran, Iran.

Tel : (++98 21) 66405859,66409443

Fax: (++98 21) 66402118

info@sholehsanat.com

www.sholehsanat.com

Factory

8th Ave., 1st Industry Blvd., Rasht Industrial
City, Rasht, Iran.

Tel : (++98 13) 33882063

Fax: (++98 13) 33882502

factory@sholehsanat.com